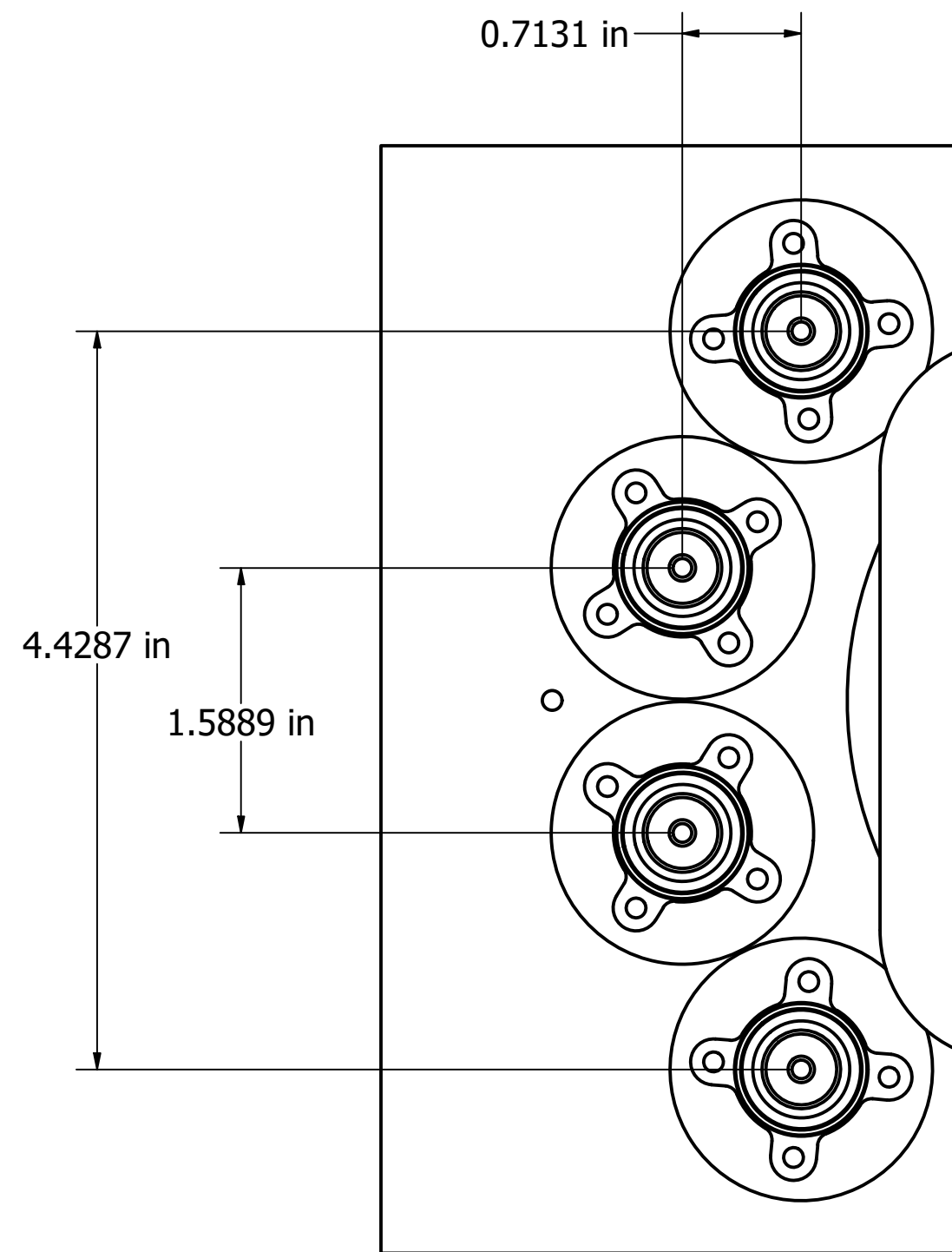
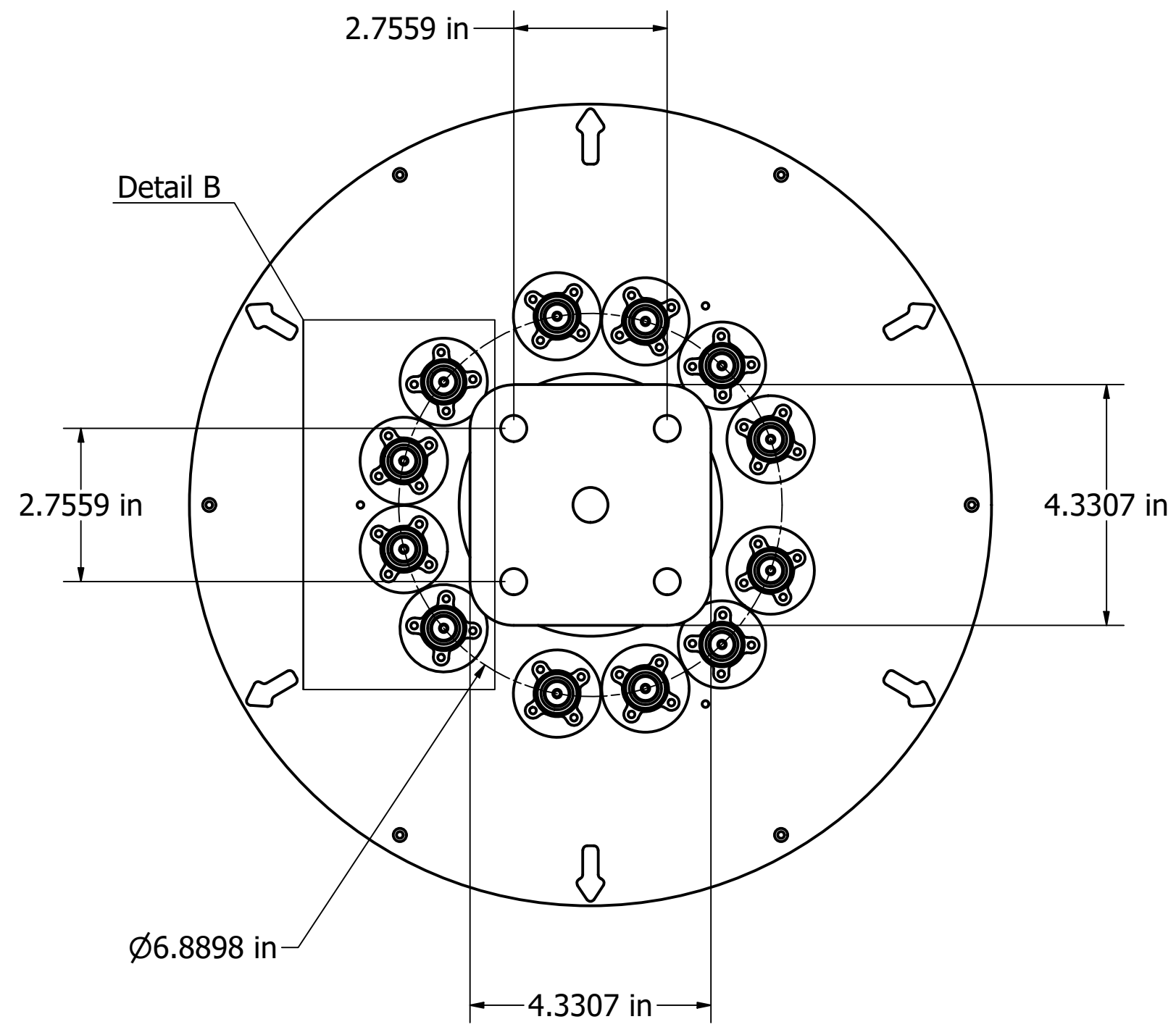
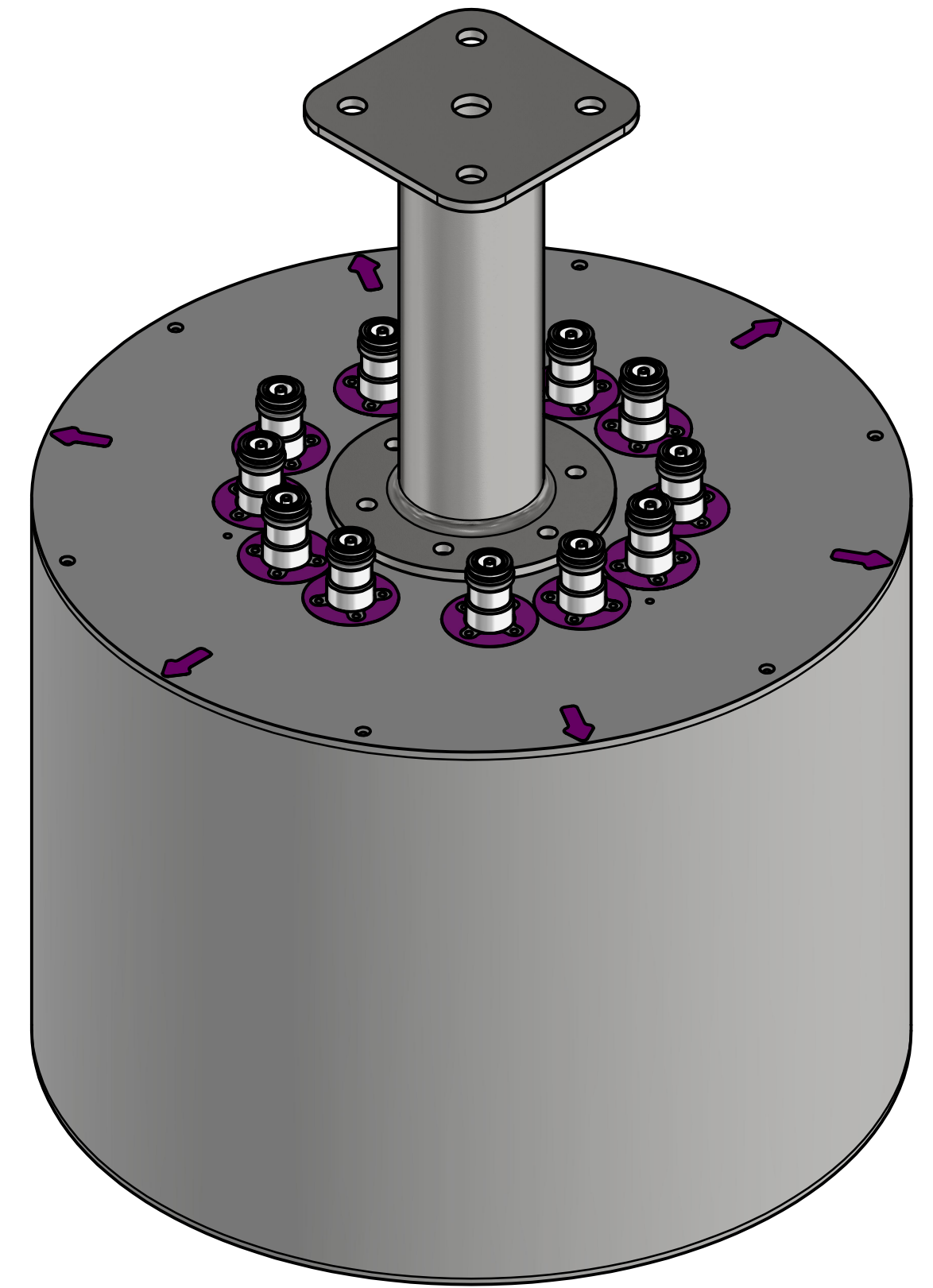


Designed by VIGNESH	Drawing by LAWRENCE	Date 14/3/2024	Approved by PAVEL	Date 15/3/2024	Quantity	Material
<b>MATSING</b> LENS TECHNOLOGY ENABLED						MS-LP-6-C2
MS-LP-6-C2 (in)					Revision 1.0	Sheet 1 / 2



Detail B



Designed by	Drawing by	Date	Approved by	Date	Quantity	Material
VIGNESH	LAWRENCE	14/3/2024	PAVEL	15/3/2024		
<b>MATSING</b> LENS TECHNOLOGY ENABLED						MS-LP-6-C2
						MS-LP-6-C2 (in)
					Revision	Sheet
					1.0	2 / 2